

# MC 多功能計數器 Series Multi-function UP/Down counter

勝特力材料 886-3-5753170  
勝特力电子(上海) 86-21-34970699  
勝特力电子(深圳) 86-755-83298787  
Http://www.100y.com.tw

# 多功能計數器 Multi-function UP/Down counter Series

### ※ Multi-function

- Counting method : Two phases UP / Down or Single phase UP or Down
- Decimal point settable
- Multiplier range : 0.001 ~ 99.999
- Response time settable : 0.2ms ~ 999.9ms
- Response frequency : 0.1Hz ~ 5kHz
- Output control settable : N / R / C / A
- Output reset time settable : 0.01 ~ 99.99 sec



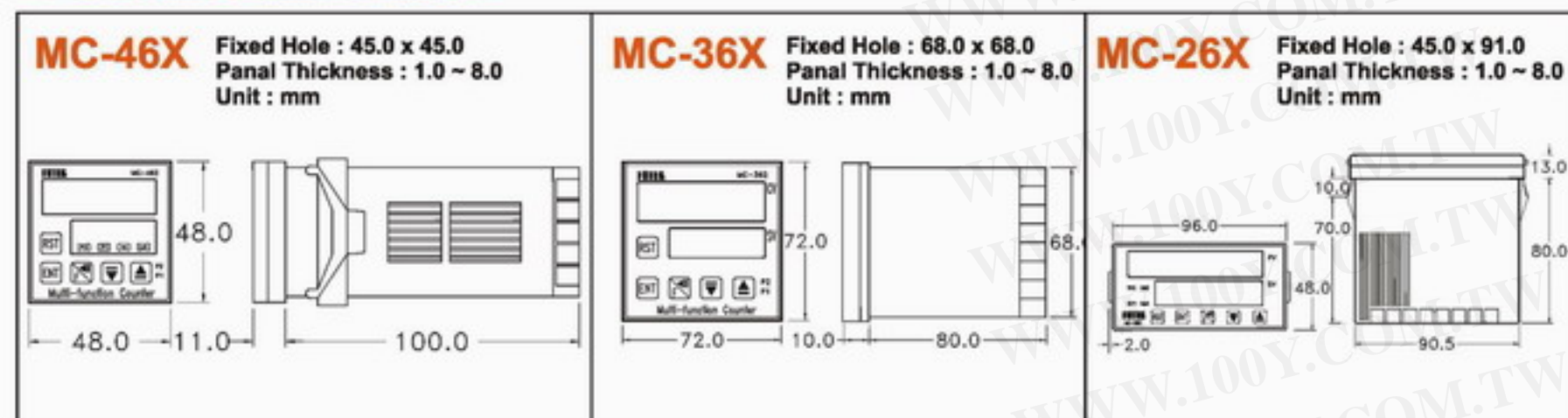
### ※ Comply with CE certificate

- EMC / EMI / ESD / LVD

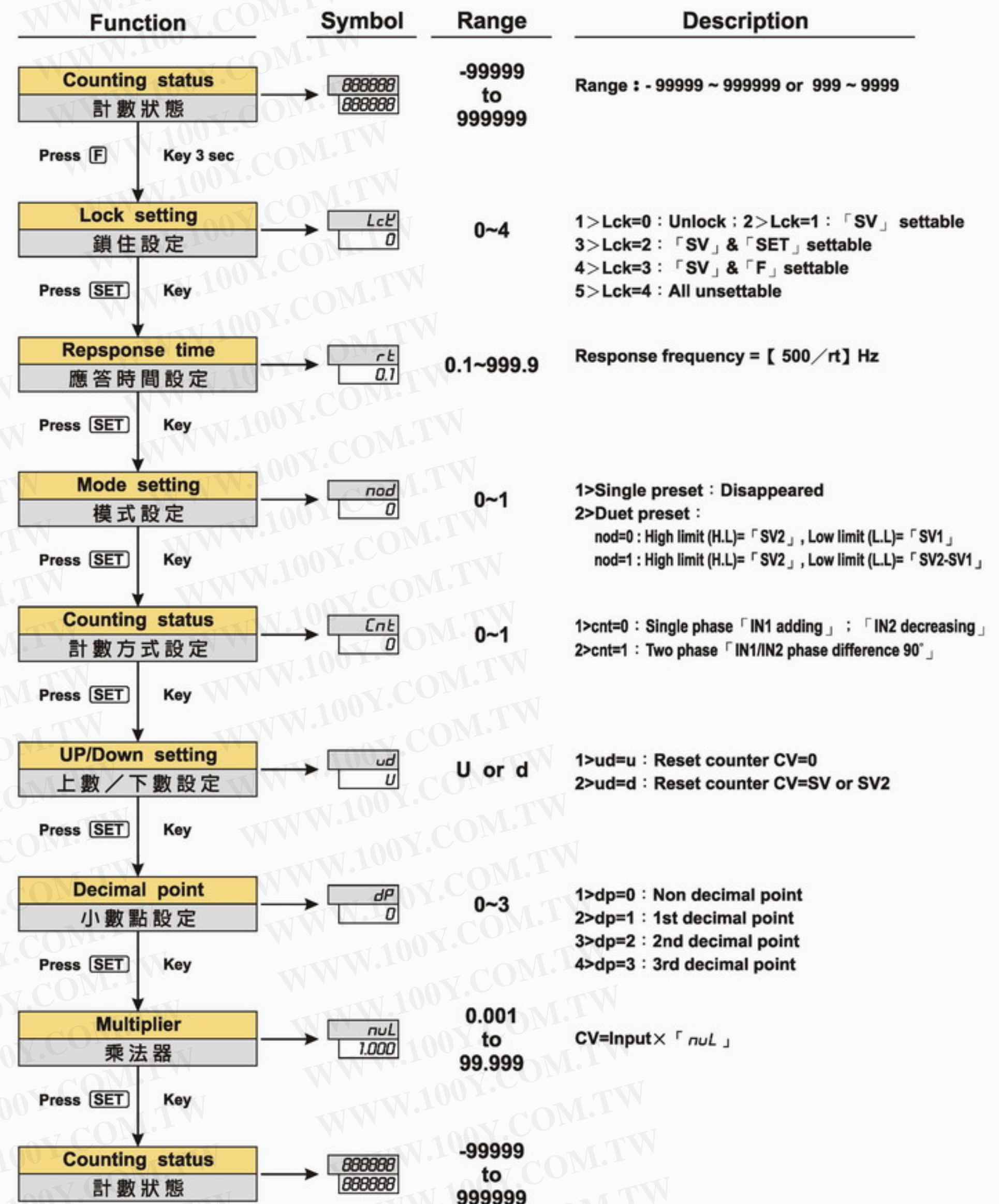
### ■ General data

Outline	外型	DIN 48 x 48				DIN 72 x 72				DIN 96 x 48	
Model	型號	MC-441	MC-461	MC-442	MC-462	MC-341	MC-342	MC-361	MC-362	MC-261	MC-262
Digits	位數	4	6	4	6	4	4	6	6	6	6
Preset	設定	Single		Duet		Single	Duet	Single	Duet	Single	Duet
Output method	輸出方式	One relay		Two relay		One relay	Two relay	One relay	Two relay	One relay	Two relay
Contact rated	額定電流	3 A / 250VAC									
Power supply	工作電壓	90 ~ 265 VAC 50/60 Hz									
Current consumption	耗電流	5VA max.									
DC output	直流輸出	12 V / 100 mA max.									
Input method	輸入方式	NPN single phase or two phase selectable									
Counting method	計數方式	Increasing or decreasing counting selectable									
Response time	應答時間	0.1 ms ~ 999.9 ms settable									
Output contro	輸出控制	N / R / C / A selectable									
Output reset time	輸出復歸時間	0.01 ~ 99.99 sec settable									
Multiplier	乘法器	0.001 ~ 9.999 settable									
Memory method	記憶方式	EEPROM									
ESD strength	耐靜電	Over 8 KV									
Dielectric strength	電介強度	Over 2.5 KV / 1 min., Between power and each other terminal									
Isolation strength	絕緣強度	Over 100MΩ / 500 VDC, Between power and each other terminal									
Operating Temp./Hum.	工作環境	- 20 °C ~ + 80 °C ; 35% ~ 85% RH									

### ■ Outline dimension



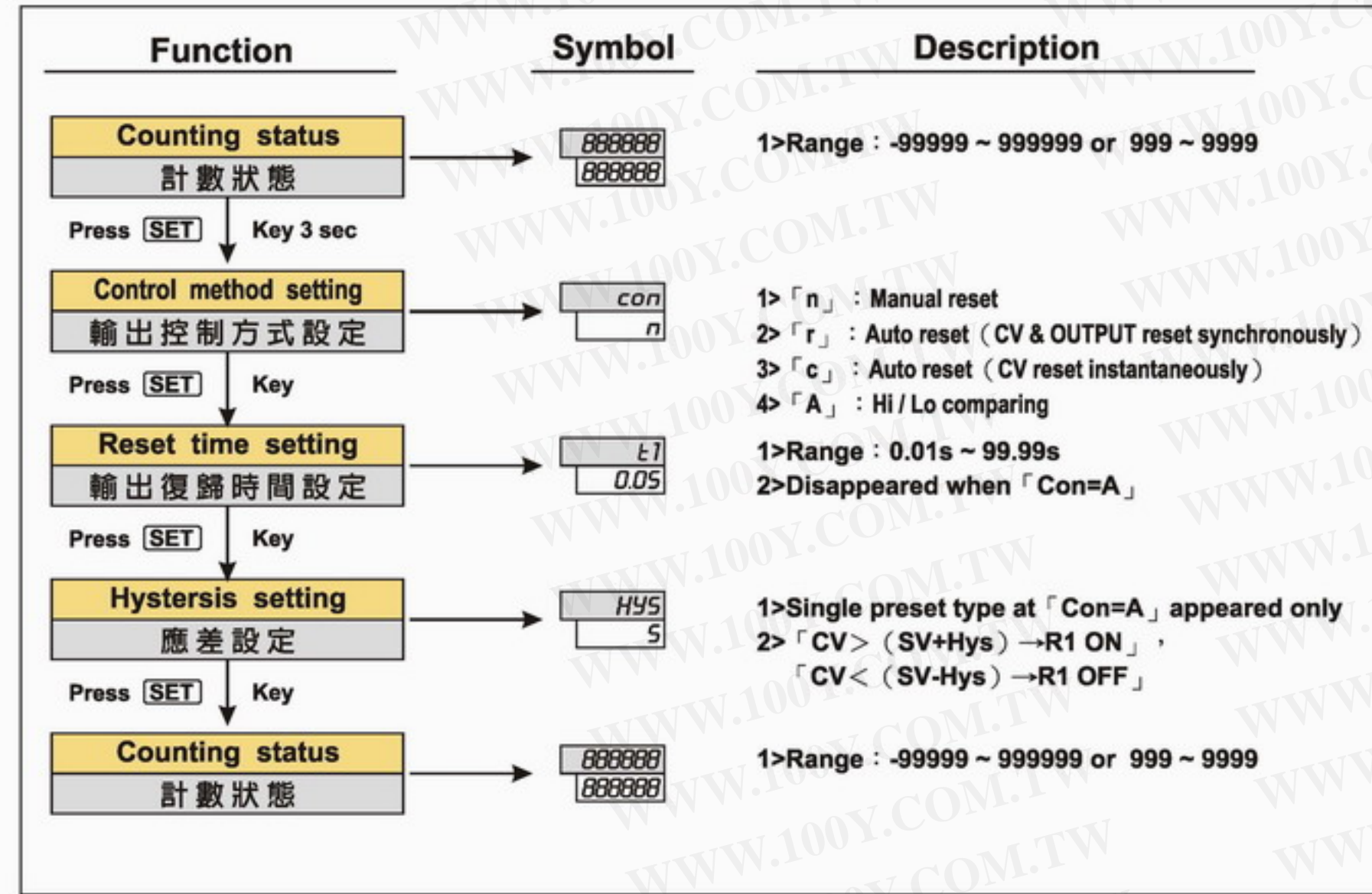
### ■ Setting of function / 功能設定



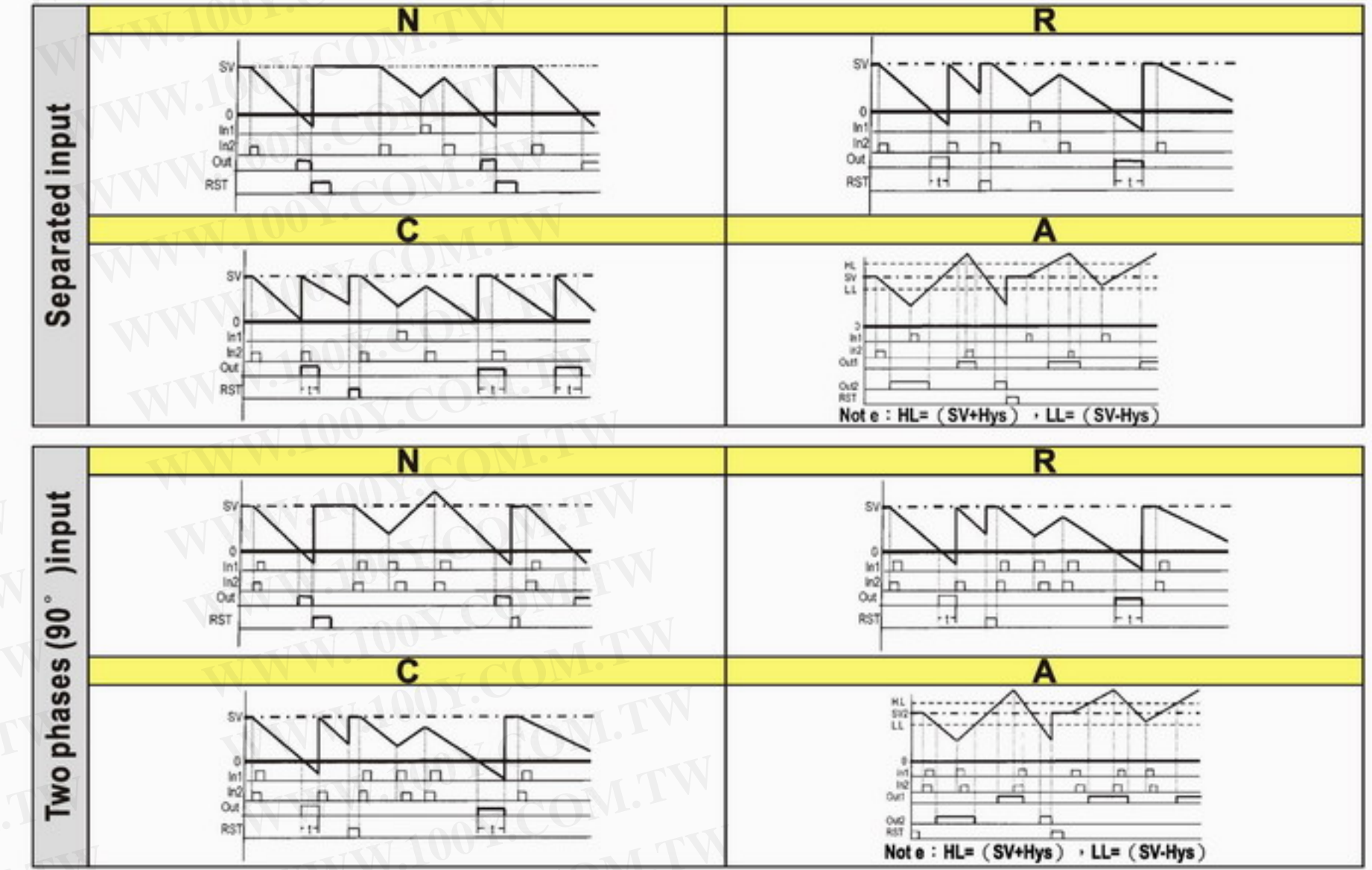
# MC 多功能計數器 Series Multi-function UP/Down counter

# 多功能計數器 Multi-function UP/Down counter Series

## Setting of output control method / 輸出控制方式設定



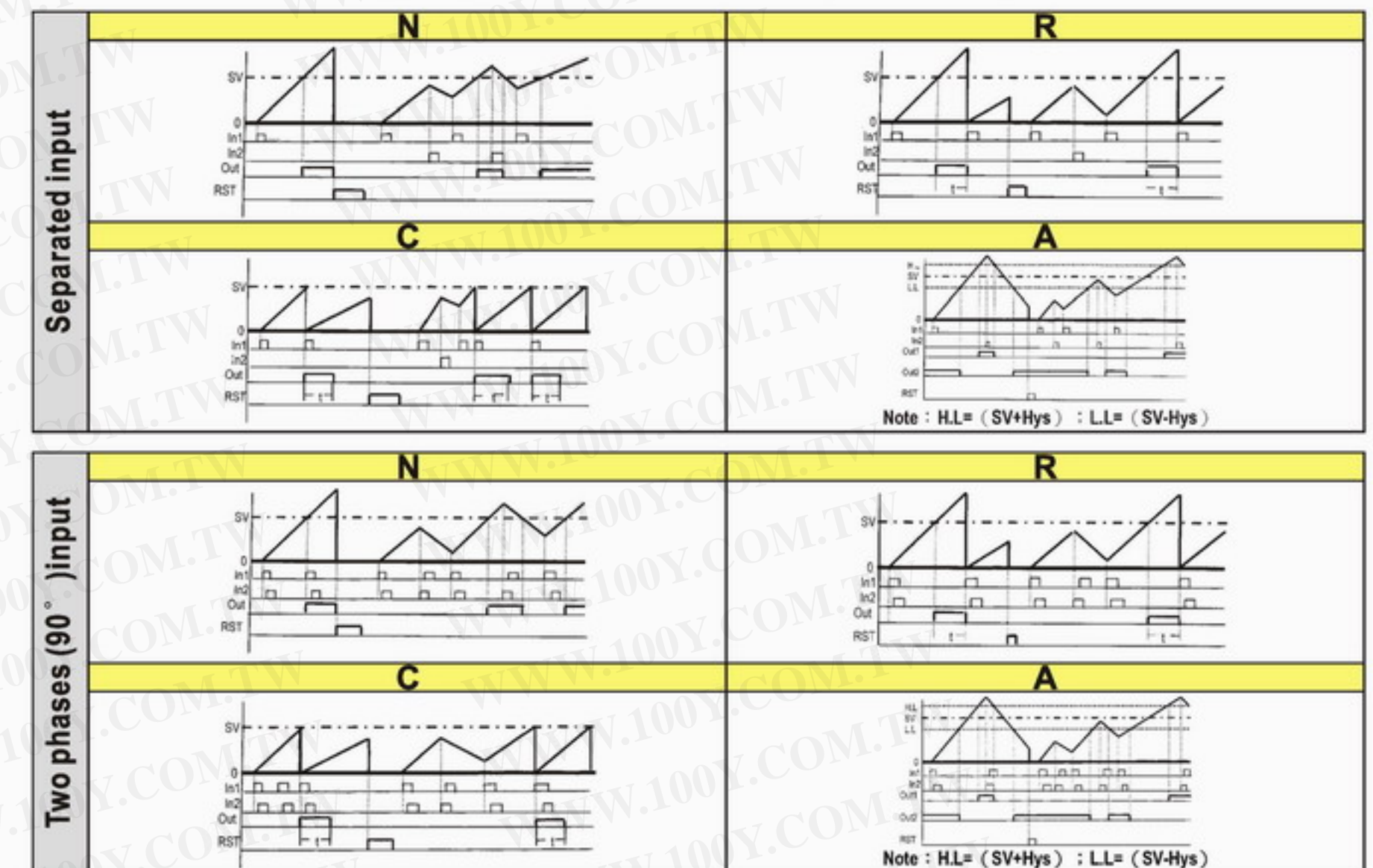
## Output control 【Single preset/Decreasing counting (CV reset to 「SV」)】



## How to set the 「SV」 / 如何改變「設定值」



## Output control 【Single preset/Increasing counting (CV reset 「0」)】



## Connectino diagram / 接線圖

